

LED-K-540-DC

Underwater LED Light



underwater **vision** specialists

Features

- Suitable for Use with Fluorescent Tracer Dyes
- Rugged Construction Shock & Vibration Resistant
- No Ballast - Ease of Interface
- 3,000 Metre Rating
- Low Operating Cost
- Long Life, 50,000 Hours
- Auto Temperature Regulated



Description

The Bowtech Products LED-K-540-DC, utilises the highly successful Bowtech Products LED light engine, which emits a green light ideal for use with fluorescent tracer dyes (4 types listed overleaf), for identifying leaks from pipelines, risers and subsea wellhead equipment.

The LED-K-540-DC has no fragile filaments, is highly shock resistant, robust, with exceptional longevity. The LED-K-540-DC has an effective lifetime, greater than 50,000 hours. As the light emitted is of a single wavelength, filters are not required and ensure that all the light produced is effective, in the search for that elusive leak. The 3,000 metre rated housing is made from hard anodised aluminium, with optional titanium and stainless steel, which all offer proven, corrosion resistance.

Benefits of LED Lighting

No Fragile Filaments

Rugged Construction

Highly Shock and Vibration Resistant

Average Lifetime Greater than 50,000 hours

Enormous "In-service" Cost Saving Over Incandescent Bulbs

Available in Various Colour Temperatures



© Bowtech Products Ltd 2012 All rights reserved.
Bowtech Products Ltd reserves the right to change the above specifications without notice.

T +44 1224 772345
F +44 1224 772900

sales@bowtech.co.uk
www.bowtech.co.uk

Last updated 6th June 2013
Revision: 0

Specification – LED-K-540-DC

ELECTRICAL

Input Power Requirement: 24Vdc, 1,000mA

OPTICAL

Window/Lens: Acrylic
 Typical Luminous Flux: 600 Lumens
 Peak Wavelength: 540nm
 Dimming: 0-5Vdc, 0-10Vdc, Bipolar, RS-485
 Lumen Maintenance (70%): 50,000 hrs

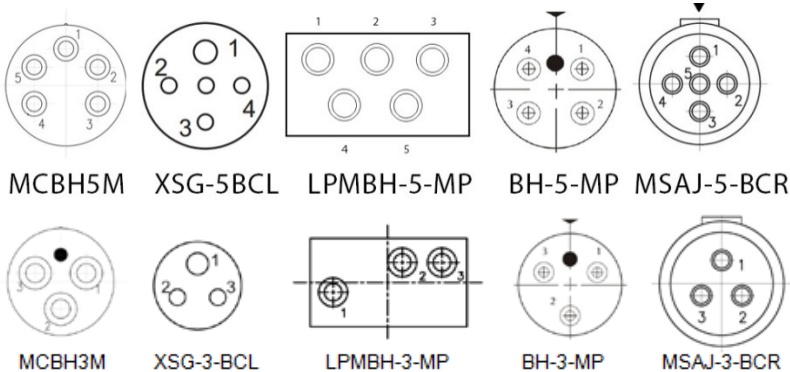
ENVIRONMENTAL

Operating Depth: 3,000m (9842ft)
 Storage Temperature: -30 to +70°C
 Operating Temperature: -10 to +40°C (in water)
 Housing Materials: Hard Anodized 6082-T6 Aluminium, Titanium, Stainless Steel

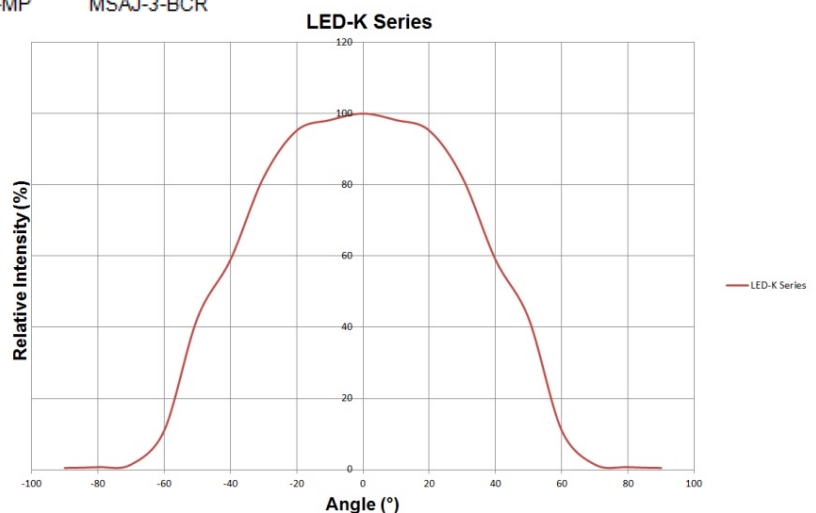
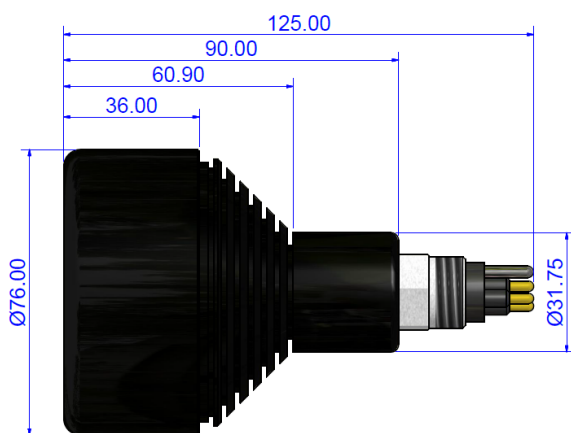
MECHANICAL

Length: 89mm (3.5in) Excluding Connector
 Diameter: 76.0mm (3in) Front-end, 31.75mm (1.25in) Body
 Lamp Type: Bowtech Products' LED Array
 Weights in Air: Aluminium 0.460kg, Titanium 0.670kg, Stainless Steel 1.080kg
 Weights in Water: Aluminium 0.240kg, Titanium 0.450kg, Stainless Steel 0.860kg
 Mounts: Optional Mounting Bracket with a Variety of Thread Mounts
 Typical Beam Angle: 75° to 50% Power Points
 Standard Connector: MCBH3M
 Optional Connectors: A Wide Range of Connectors
 Tested for use with Tracer Dyes: Rhodamine WT, B275 Dye (Schlumberger), RX-9022 Fluorescent Pipedye (Roemex), Fluorodye UC (Champion Technologies), Pelagic Ocean DYE (Niche Products)

For use with RS-485 control option:



(connector face patterns not to scale)



© Bowtech Products Ltd 2012 All rights reserved.
 Bowtech Products Ltd reserves the right to change the above specifications without notice.

T +44 1224 772345
 F +44 1224 772900

sales@bowtech.co.uk
www.bowtech.co.uk

Last updated 6th June 2013
 Revision: 0