



## LED-U Series UNDERWATER LED LIGHT

- 4200 or 7300 lumens
- 120Vac
- 6000m operating depth

### Benefits of LED Lighting

**No Fragile Filaments**

**Rugged Construction**

**Highly Shock and  
Vibration Resistant**

**Average Lifetime  
Greater than 100,000 hours**

**Enormous "In Service"  
Cost Saving Over Incandescent  
Bulbs**

**Available in Various Colour  
Temperatures**

The Bowtech LED-U-Series are 120Vac underwater lamps available with either 4200 or 7300 lumen output.

With Bowtech's continued history of innovation, these lights feature the latest LED technology providing the best underwater lighting technology available.

Rated to operate at 6000m ocean depth, the lamps are manufactured with anodised Aluminium, Titanium or Stainless Steel housing all offering proven corrosive resistance

The 80° diagonal wide beam angle light produced is ideal for colour video inspection or viewing tasks.

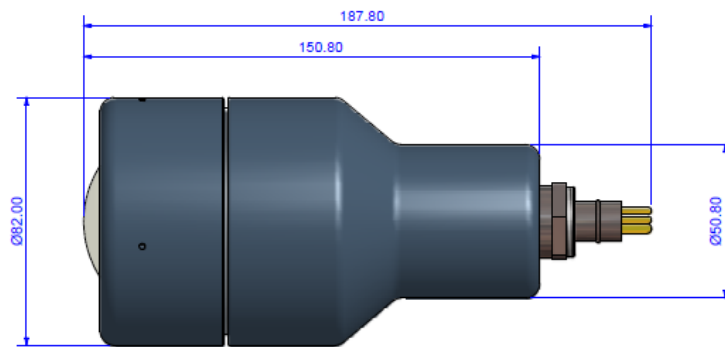


Howe Moss Crescent, Dyce, Aberdeen, AB21 0GN, Tel: +44 (0)1224 772345, Fax: +44 (0)1224 772900,  
Email: bowtech@bowtech.co.uk, Web: www.bowtech.co.uk

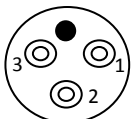
# LED-U-Series

## SPECIFICATIONS

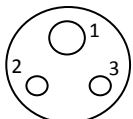
Models	LED-U-4200 LED-U-7300
Housing Material:	Hard Anodized 6082-T6 Aluminium
Optional Housing Materials	Titanium Stainless Steel
Length:	150.8mm (5.9in) excluding connector
Diameter	82.0mm (5.9in) front end 50.8mm (2.0in) body
Window/Lens:	Glass (Quartz)
Weights in Air	Aluminium 1.300kg (2.87 lbs)
Weights in Water:	Aluminium 0.650kg (1.43 lbs)
Operating Depth:	6000m (19685ft)
Operating Temperature:	-10°C to +40°C (4200 lumen model) -10°C to +25°C (7300 lumen model)
Thermostat Cut-Off	Off 70°C, restart <50°C
Typical Beam Angle:	80° to 50% power points
Voltage	120Vac
Power Requirement:	500mA(4200 lumen model) 1000mA(7300 lumen model)
Typical Luminous Flux:	4200 or 7300 lumens
Typical Luminous Intensity @ 1m:	1440 Lux (4200 lumen model) tbc Lux (7300 lumen model)
Typical Colour Temperature:	6600 kelvin (options available)
Standard Connector:	MCBH3M
Optional Connectors:	A wide range of Connectors
Lumen Maintenance (70%):	50,000 hours



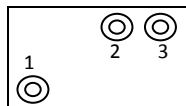
## Standard Connector Options:



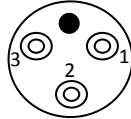
MCBH3M



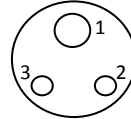
XSG-3-BCL



LPMBH-3-MP



BH-3-MP



MSAJ-3-BCR



Howe Moss Crescent, Dyce, Aberdeen, AB21 0GN, Tel: +44 (0)1224 772345, Fax: +44 (0)1224 772900,  
Email: bowtech@bowtech.co.uk, Web: www.bowtech.co.uk